

Installation instructions

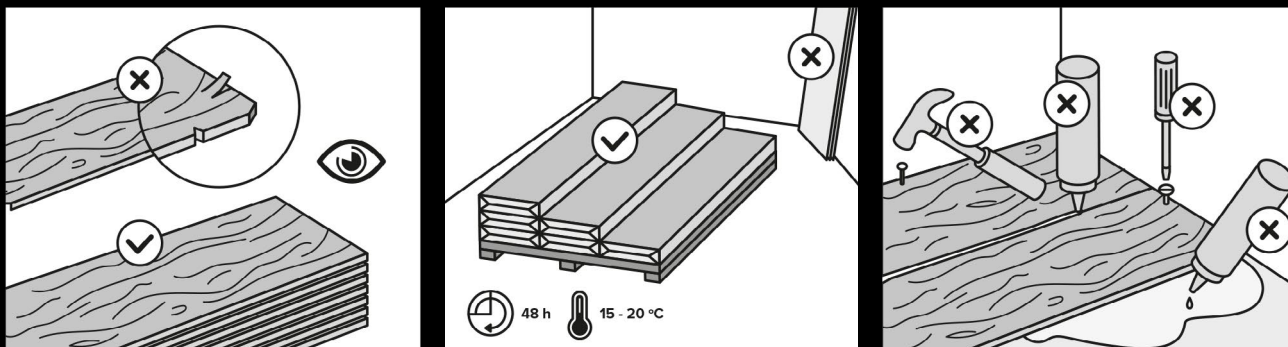
Dryback XL planks | herringbone XL



belakos
1960

1. STORAGE AND TRANSPORTATION

Ensure that the material is stored and transported on a flat, firm surface, flat and in neat piles. Ensure that the material is not stored in a cold or humid environment.



2. PRIOR TO INSTALLATION

Inspect the product

Do the colours match those ordered, are the quantities correct and is there no visible damage to the boxes? During installation, also check for any visible defects and do not install planks or tiles that have any imperfections.

Acclimatization

To prevent shrinkage and expansion, acclimate your LVT floor by laying the planks on the floor, at **room temperature**, for 48 hours. Stack the planks, or tiles, in low, straight stacks without packaging. Lay them in the centre of the room, away from heating, cooling, or windows with direct sunlight.

Underfloor heating and cooling

If the current floor has underfloor heating and/or cooling, make sure the underfloor heating and/or cooling is off, for 24 hours before and up to 72 hours after installing the new floor. After installing the floor, observe the **start-up protocol**. See page 5 for more information.

Heating protocol: This is always carried out after the installation of underfloor heating but before the LVT floor is laid. It ensures that the subfloor and screed can cure properly, minimizing shrinkage and expansion stresses.

Cooling protocol: This is especially necessary when underfloor heating is used for floor cooling in the summer. The temperature must be gradually lowered to prevent condensation and stress in the floor. In winter, cooling is not required, as the underfloor heating is then kept at a comfortable temperature continuously.

We do not recommend installing infrared or electric underfloor heating under a Belakos LVT floor.

If electric underfloor heating is necessary, it must be covered with at least 9 mm of suitable leveling compound. Direct contact with electric underfloor heating must be avoided. The surface temperature must not exceed 27°C.

Installation period: Wait 72 hours after installing Dryback LVT and 48 hours after installing Click LVT before turning on the underfloor heating.

Gradual heating: Increase the underfloor heating temperature gradually, in steps of 5°C per day, until the standard surface temperature is reached. The maximum screed temperature must not exceed 27°C.

Subfloor:

The type of subfloor, its quality and any pre-treatment will have a major impact on the final result. To avoid unevenness in the LVT floor, the subfloor must be clean, level, free of dust, permanently dry and normally porous. Each type of subfloor requires special treatment to get the floor flat, smooth and stable for installing the LVT floor.

Levelling

For levelling the subfloor, we recommend using Uzin products.

For more information, visit: www.uzin.nl.

The permissible moisture content of the subfloor:

- Unheated cement screed less than 2.0 CM% - 75% RH (UK);
- Cement screed with underfloor heating less than 1.8 CM% - 75% RH (UK);
- Unheated anhydrite (calcium sulphate) screed less than 0.5 CM% ;
- Anhydrite (calcium sulphate) screed with underfloor heating less than 0.3 CM%.

Concrete, poured directly on the ground, and stone screeds must have an efficient vapor-proof membrane (DPM) in accordance with national standards for the installation of resilient floor coverings. Follow the manufacturer's detailed instructions for installation of a DPM and the use of levelling compound.

3. INSTALLATION REQUIREMENTS

Take the climatic conditions and the temperature of your job site into account. It should not be lower than 18°C and have a relative humidity between 50-65%. The floor temperature should not be lower than 15°C or higher than 23°C. The climate conditions should be constant: at least 48 hours before laying, during and 72 hours after laying. Larger changes in room temperature, in the context of normal temperature control, should take place gradually.

During installation, check for any visible defects and do not install planks or tiles that have any imperfections. Optimal adhesion will be achieved if you have determined by way of experiment that the adhesive has been spread over approx. 80% of the backside of the floor.

Damp rooms

The installation of Belakos LVT is subject to strict rules when installed in a damp room. For example, the floor is not suitable for installation near a rain shower.

Please observe the following rules before installation:

- Use an underlay suitable for LVT and damp rooms;
- Seal the floor with sealant suitable for damp rooms.

4. INSTALLATION AND FINISHING

Ensure proper laying temperature, see above. Temperatures that are too low and/or humidity levels that are too high will cause difficult processing and poor adhesive bonding. Direct sunlight should be avoided during and after laying the floor, so that the LVT can act properly on the adhesive. Cutting LVT to size can be done with a sharp Stanley knife. Use a straight or slightly curved blade.

IMPORTANT!
UNDERFLOOR HEATING AND COOLING SYSTEMS MUST BE SWITCHED OFF DURING INSTALLATION OF THE FLOOR.

4.1 Adhesive

We recommend using only adhesives specifically suitable for LVT flooring.

Follow the advice below. Apply the adhesive with a notched trowel according to the prescribed pitch. It is important to roll the floor well after laying it, so the adhesive bonds well to the LVT.

Adhesive	Belakos collection	Base	Serration TKB
UZIN KE 66	Attico / Monastro / Palazzo / Rustico / Terreno / Touchstone Grand / Touchstone Medium and all LVT bonded to Jumpax or similar floors.	Synthetic resin dispersion, solvent-free, EMICODE EC 1 PLUS, very low emission PLUS, Blauer Engels according to RAL UZ 113, fibre-reinforced, high initial adhesion, short processing time.	A2
UZIN KE 2000 S	Attico herringbone XL / Attico chevron / Monastro herringbone XL / Palazzo herringbone XL / Palazzo chevron / Rustico herringbone / Terreno herringbone XL / Touchstone.	Synthetic resin dispersion, solvent-free with long processing time, EMICODE EC 1 PLUS, very low emission PLUS, Blauer Engels according to RAL UZ 113.	A2
UZIN KR 430	All LVT planks/tiles when installed in areas where there is high humidity and/or high temperature changes.	2-C-Polyurethane adhesive, solvent-free, very high final adhesion and resistance, EMICODE EC 1 PLUS, very low emission PLUS.	A1

Adhesive stains:

Do not use solvents to remove adhesive stains. Remove adhesive stains immediately with a damp cloth. In case of dried adhesive stains remove them with water or use James remover.

4.2 LAYING METHODS

Measure the room where the floor is to be laid and calculate the best way to lay the planks. You will obtain the best result if the planks are of identical width at both sides of the room. Put a straight line in the middle of the room and start laying the planks there.

There are different laying patterns for LVT flooring. Below are the most commonly used patterns:

Wild connection

In the wild connection method, the planks are not laid in bond, but rather crisscrossed together. This method is often used and gives a beautiful look!

Herringbone pattern

In a herringbone pattern, the planks are laid at a 90-degree angle. If desired, the edges can be finished with flooring strips. The strips are also available from Belakos in various colours and sizes.

Chevron pattern

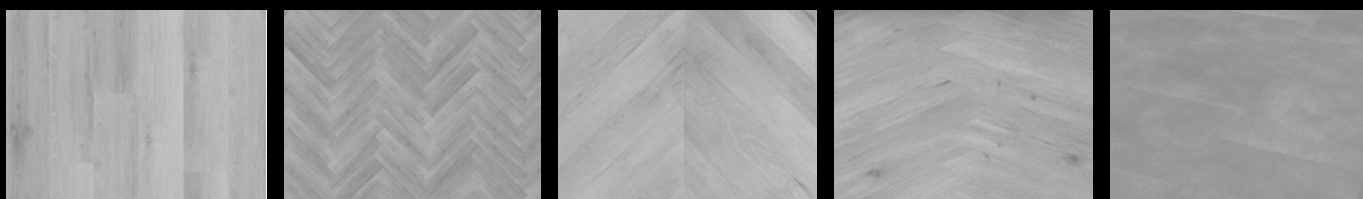
With the chevron pattern, the planks are laid at a 45-degree angle.

Chevron wave pattern

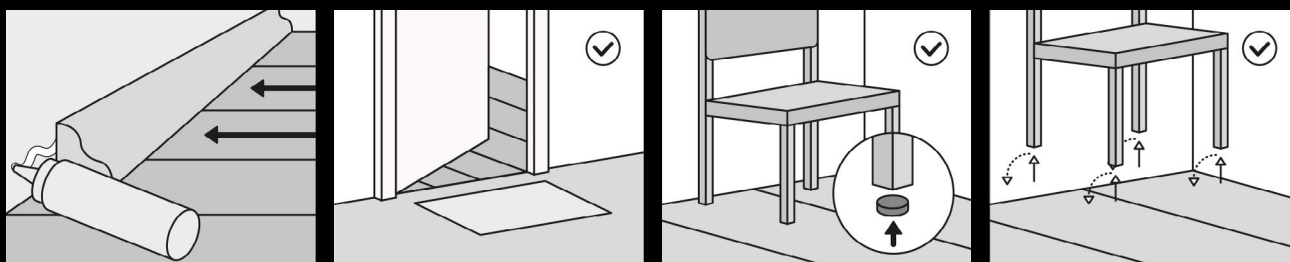
With the chevron wave pattern, the planks are laid at a 60-degree angle.

Half-brick bond

In half-brick bond, the planks, or tiles, are laid horizontally in rows where there is a skip of a 'half tile'. The tiles are staggered by 'half a tile' with respect to the adjacent rows. Ultimately, this creates a half-stone bond on the floor.

**5. USE OF THE FLOOR**

After the floor is installed, the LVT floor must be protected from heavy foot traffic for 72 hours. The planks and adhesive can then, at a constant temperature between 18 and 25°C, stabilize. A LVT floor should never be heated above 27°C degrees.

**Cleaning**

The floor can be cleaned by sweeping, vacuuming or by damp wiping the floor with products from **James** (www.james.eu). Aggressive and staining substances should be removed from the floor immediately.

Underfloor heating and cooling

Guidelines for floor heating and cooling and a heating and cooling protocol are described by UZIN (Dutch); [click here to download this information sheet](#) or scan the QR code at the bottom of this page for more information.

Scratch no More

Apply appropriate protection under furniture. Consider soft caps. Do not use felt. Dirt can build-up under felt which can scratch the floor. More information can be found at www.scratchnomore.nl.

Walk-in mat

Provide a spacious walk-in mat, both inside and outside. This will prevent a lot of dirt on the floor.

Scan the QR
code to read
the UZIN
information
sheet (Dutch)



6. MAINTENANCE

Belakos floors are known for their high quality, durability, and beautiful appearance. To maintain this appearance, it is recommended to treat the floor properly. For best results, we recommend the products of **James**, www.james.eu.

Download the maintenance guide from our website to learn how to keep your Belakos floor in top condition and which products to use: www.belakos.nl.

Scan the QR code for more information on keeping the floor beautiful!



belakos
1960

De Blokmat 15 ▲ 8281 JH Genemuiden - NL
+31 (0)38 385 4622 ▲ info@belakos.nl ▲ www.belakos.nl

